

Basic Peristaltic Pump

Model No. : HF-LabMI-III, HF-LabM3-III, HF-LabM6-III

Flow Rate : 0.0053-3100ml/min



Single Channel



Dual Channel

- Product features

3 digital LED display motor speed, mechanical keypad control.

Timing function, the time range of 0.5 seconds -999 seconds can be used as a simple dispensing.

Support RS232 and RS485 communication, Modbusprotocol.

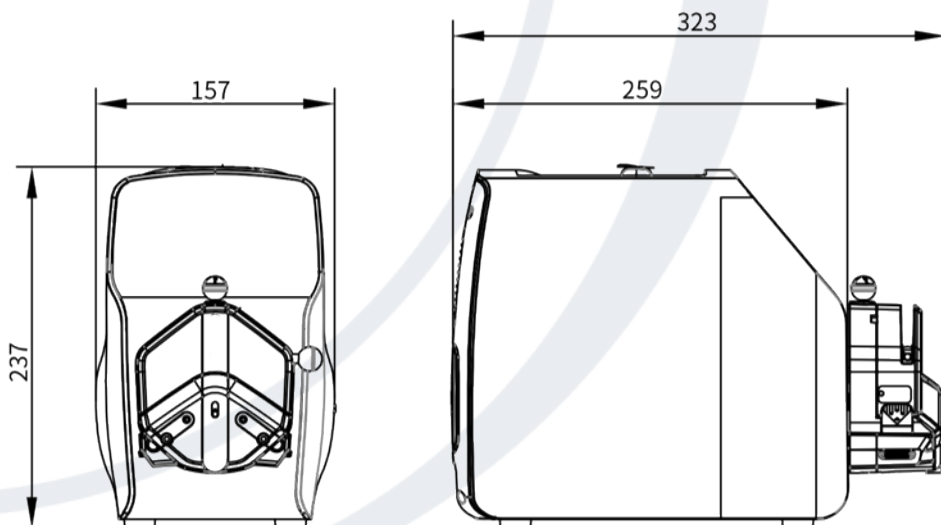
- Screen Display



- Technical Specifications

Speed resolution	0.1 rpm when the speed is 0-100 rpm, 1 rpm when the speed is 100-600 rpm	Start/Stop, reversing signal	Passive switch signal, such as foot pedal; Active switch signal: 24V for option
Testing time range	0.1 s-9999 h	Communication interface	RS232, RS485 support Modbus protocol (RTU mode)
Outlet pressure	0.1-0.27Mpa (1.6-2.4mm wall thickness tubing)		
Display	3 digital LED	Power supply	Output motor working status (Open-Collector output)
Control method	Mechanical keypad	Drive dimension (LxWxH)	261.4×157.3×236.9 mm
Keypad lifetime	300,000 times	Drive weight	4.40 kg
External speed control signal	0-5V, 0-10V, 4-20mA for option	Power consumption	<50W
Relative humidity	<80%	Condition temperature	0-40°C
IP rate	IP31		

- Dimension Drawing (Unit:mm)



- Pump Head



HF-EasyPump Series (Pressure Adjustable)



HF-EasyPump Series (Fixed Pressure)

- Pump Head & Flow Rate

Pump Head	Single/Dual Channel	Tubing Wall Thickness(mm)	Pressure Adjustable
HF-EasyPump I	Single Channel	1.6	No
HF-EasyPump II	Single Channel	2.4	No
HF-EasyPump V	Dual Channel	1.6	No

Pump Head	Single/Dual Channel	Tubing Wall Thickness(mm)	Pressure Adjustable
HF-EasyPump I	Single Channel	1.6	Adjustable
HF-EasyPump IV	Single Channel	2.4	Adjustable
HF-EasyPump VI	Dual Channel	1.6	Adjustable

HF-LabM-III

Pump Head	Tubing	IDxWall Thickness (mm)	ml/r	Flow Rate (ml/min) (HF-LabM1-III, 0.1-150rpm)	Flow Rate (ml/min) (HF-LabM3-III, 0.5-350rpm)	Flow Rate (ml/min) (HF-LabM6-III, 0.5-600rpm)
Single Channel HF-EasyPump I/III	13#	0.8×1.6	0.053	0.0267~8	0.0267~19	0.0267~32
	14#	1.6×1.6	0.27	0.135~41	0.135~95	0.135~162
	19#	2.4×1.6	0.55	0.275~83	0.275~193	0.275~330
	16#	3.1×1.6	0.933	0.4665~140	0.4665~327	0.4665~560
	25#	4.8×1.6	1.967	0.9835~295	0.9835~688	0.9835~1180
	17#	6.4×1.6	3.333	1.6665~500	1.6665~1167	1.6665~2000
	18#	7.9×1.6	4.3	2.15~645	2.15~1505	2.15~2580
Single Channel HF-EasyPump II/IV	15#	4.8×2.4	1.8	0.9~270	0.9~630	0.9~1080
	24#	6.4×2.4	2.733	1.3665~410	1.3665~957	1.3665~1640
	35#	7.9×2.4	3.833	1.9165~575	1.9165~1342	1.9165~2300
	36#	9.6×2.4	5.167	2.5835~775	2.5835~1808	2.5835~3100
Dual Channel HF-EasyPump V/VI	13#	0.8×1.6	0.0053	0.0267~8	0.0267~19	0.0267~32
	14#	1.6×1.6	0.27	0.135~41	0.135~95	0.135~162
	19#	2.4×1.6	0.55	0.275~83	0.275~193	0.275~330
	16#	3.1×1.6	0.933	0.4665~140	0.4665~327	0.4665~560
	25#	4.8×1.6	1.967	0.9835~295	0.9835~688	0.9835~1180